



INSTRUCTIONS FOR USE
Pro-Ject T2 W

Dear Music Lover,

Congratulations and thank you for choosing Pro-Ject Audio Systems record player.

Your T2 W turntable has been handcrafted and rigorously tested by skilled technicians to give you years of enjoyable, trouble-free service.

Please contact your dealer if you require additional assistance.

Important:

Your turntable was shipped partially disassembled in order to avoid damage to sensitive parts. Please check immediately to make sure that neither the packaging nor the device was damaged in transit. If you are missing parts or if the unit is damaged, please do not operate and contact your dealer.

Contents

Product illustrations 4

Setup

- | | |
|--|---|
| 1. Platter and drive belt installation | 5 |
| 2. Cartridge installation, stylus exchange | 5 |
| 3. Vertical Tracking Force setting (VTF) | 6 |
| 4. Maintenance and cleaning | 6 |
| 5. Switching ON and OFF, changing replay speed | 7 |
| 6. Anti-skating | 7 |
| 7. Connection to the amplifier | 8 |

Technical parameters 9

Troubleshooting, warranty, service 10

Exploded view of the packaging 11

Please do your part to help protect the environment:

Disposal of packaging material:

Pro-Ject packaging is carefully designed to protect your component from damage in transit and you are strongly urged to keep the original packaging in order to safely ship or otherwise transport your turntable in the future.

However, the packaging materials were chosen to be environmentally friendly, so if you must discard the packaging, please recycle.

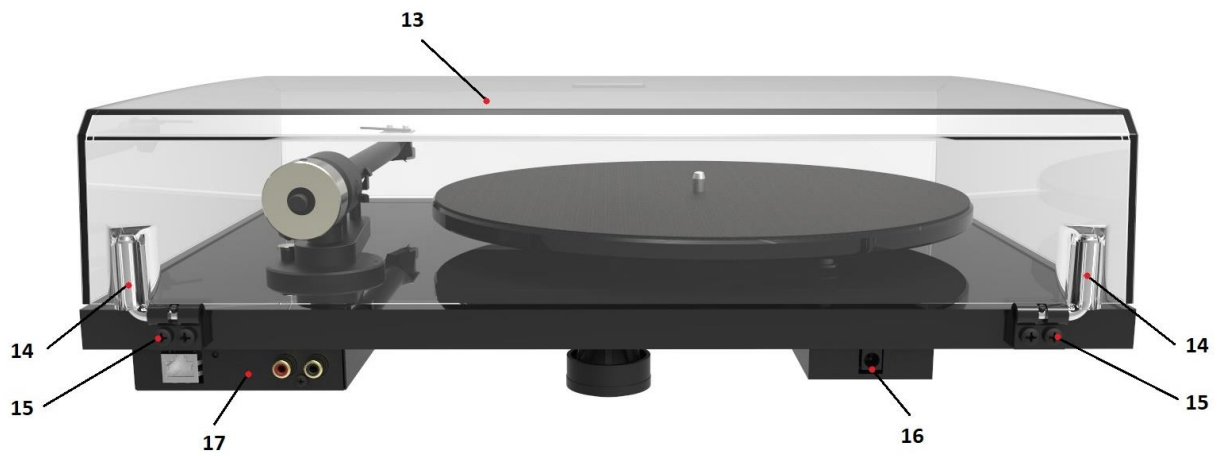
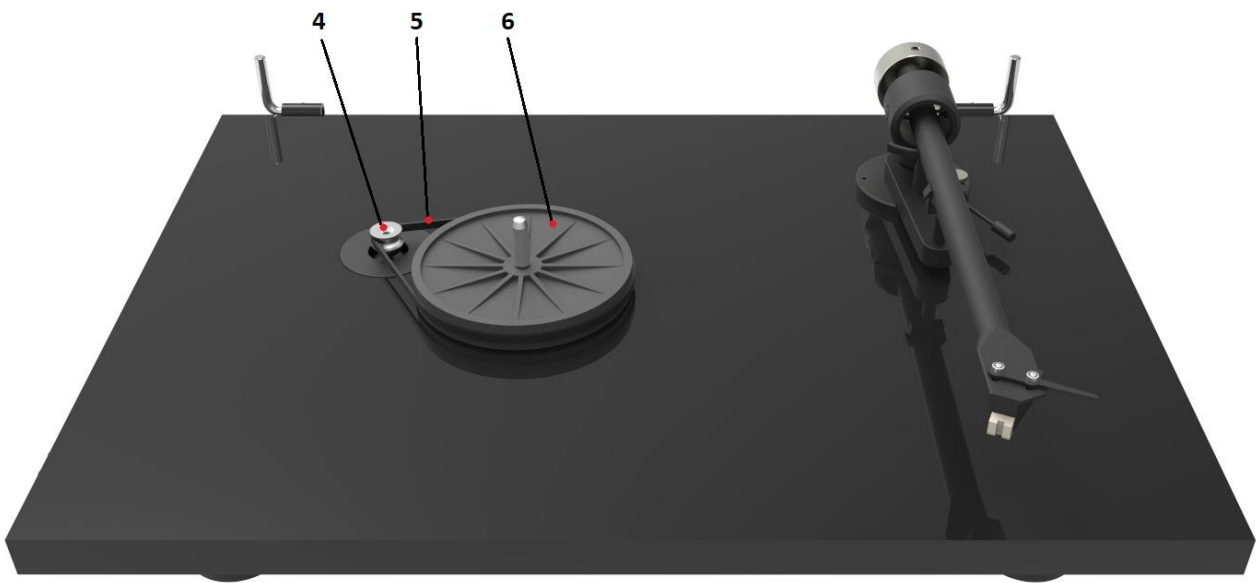
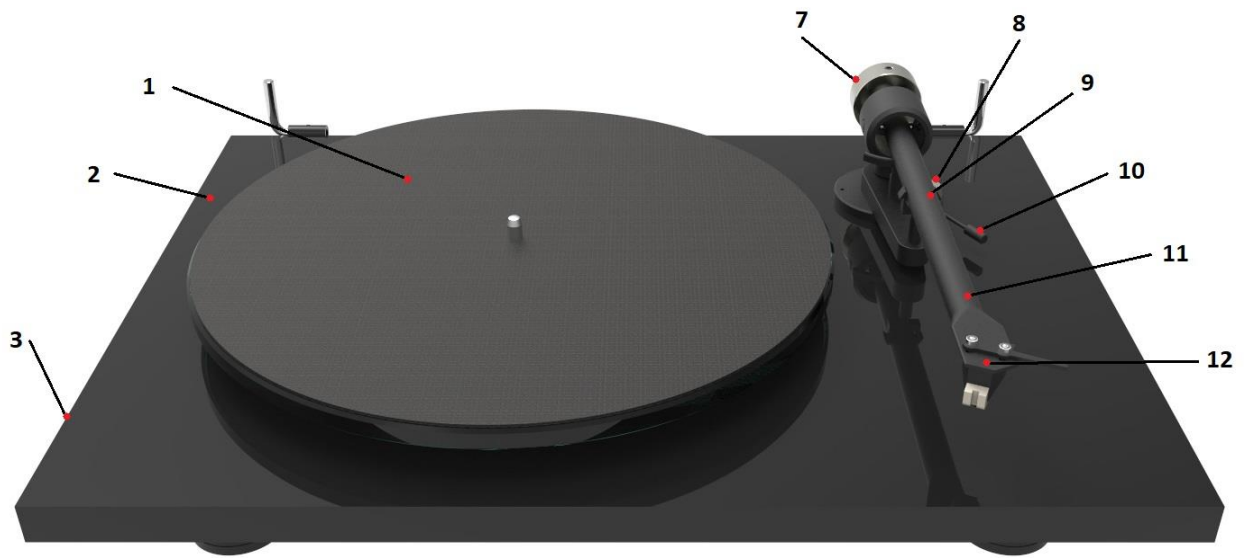
GENERAL INFORMATION

Controls, features and connections

- 1 PLATTER & FELT MAT
- 2 CHASSIS
- 3 SPEED CONTROL BUTTON
- 4 MOTOR WITH PULLEY
- 5 DRIVE BELT
- 6 SUB-PLATTER
- 7 TONEARM COUNTERWEIGHT
- 8 ANTI-SKATING ADJUSTMENT SCREW WITH SCALE
- 9 TONEARM REST / REMOVABLE TRANSPORT LOCK
- 10 TONEARM LIFT LEVER
- 11 TONEARM TUBE
- 12 HEADSHELL WITH FINGER LIFT AND PRE-MOUNTED CARTRIDGE
- 13 LID
- 14 LID HINGES
- 15 HINGE FASTENERS
- 16 POWER SUPPLY SOCKET
- 17 LINE RCA OUT, ETHERNET, Wi-Fi RESET SWITCH, Wi-Fi ON/OFF BUTTON, Wi-Fi STATUS LED

Accessories

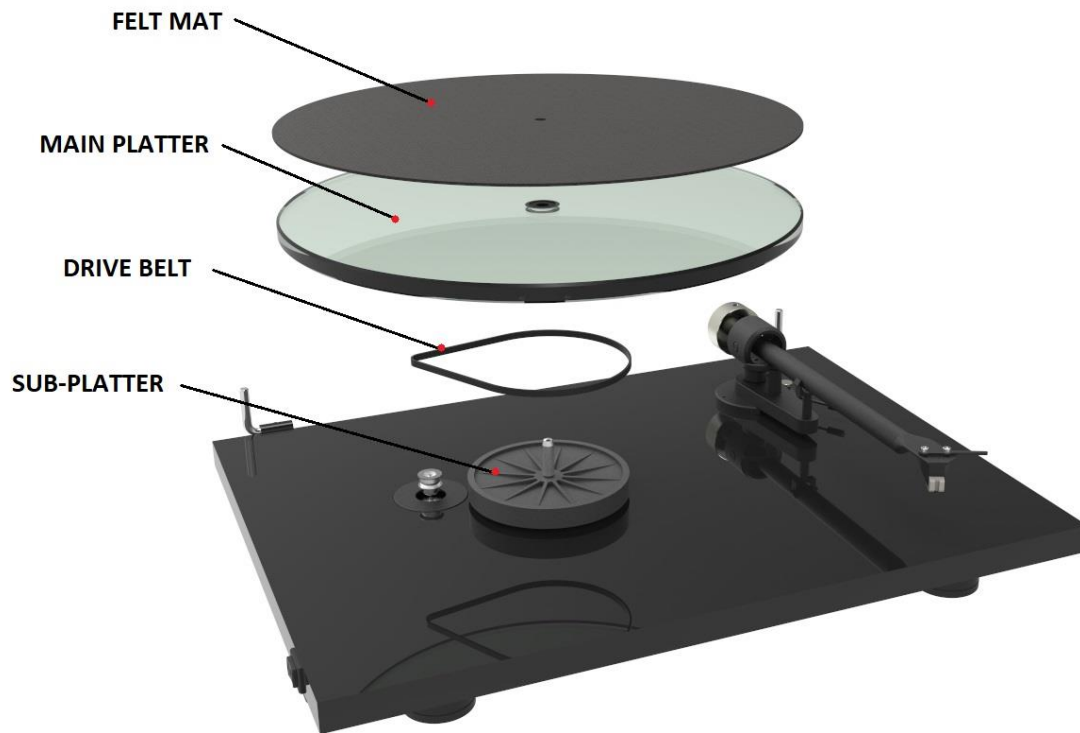
- 1 SINGLE ADAPTOR
- 2 ALLEN KEY 1,5mm
- 3 COUNTERWEIGHT no. 105 (FOR CARTRIDGE WEIGHT 5 – 11.5g)
- 4 TWO-POINT CARTRIDGE ALIGNMENT PROTRACTOR
- 5 CONNECTION CABLE (CONNECT IT E RCA)
- 6 SETUP GUIDE
- 7 UNIVERSAL POWER SUPPLY



SETUP

1. Platter and drive belt installation

Please remove drive belt from accessories box and install it as shown in the following illustration. Put the felt mat on the top of the platter.



2. Cartridge installation, stylus exchange

* If you purchased this turntable in a package that included the cartridge, this has already been done for you.

Install the cartridge into the aluminium headshell, using the appropriate hardware included with your cartridge. All cartridges with half inch mounting holes can be fitted.

Connect the cartridge as indicated below:

- White left channel L+
- Red right channel R+
- Green right channel R-
- Blue left channel L-

For correct cartridge alignment, use the two-point cartridge alignment protractor provided with your T1 accessories. If unfamiliar with two-point setup, please refer to your dealer.

A damaged or worn stylus may harm your record collection and should be replaced.

Please remove stylus protection before pulling the stylus from the cartridge and replace for a new one.

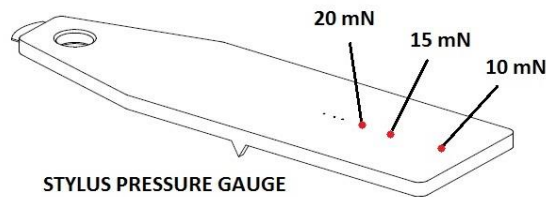
Stylus type is exchange for pre-mounted cartridge Sumiko Rainier: Stylus Sumiko Rainier. If in doubt, consult your local dealer or distributor.

3. Vertical Tracking Force setting (VTF)

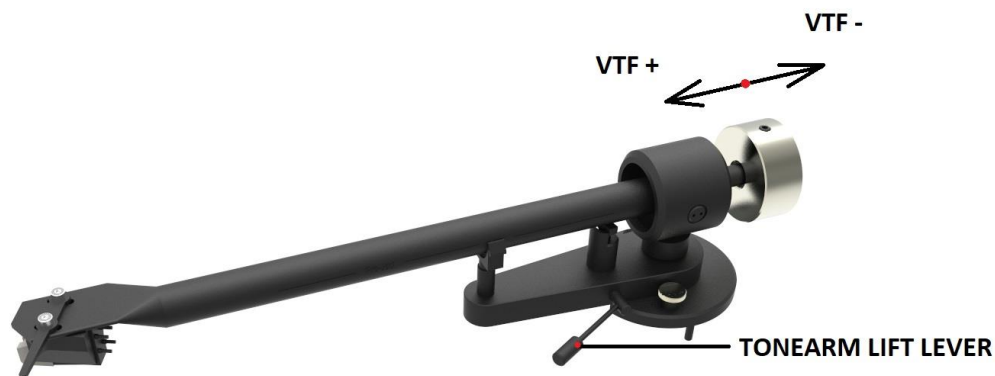
The T2 W comes with the counterweight already assembled on the tonearm, and the tracking force is factory pre-adjusted.

To adjust or fine tune the tracking force manually, loosen the hexagonal screw on top of the counterweight (6) using the allen key provided. Remove the stylus protection cover and place the stylus pressure gauge onto the platter. To set the required VTF, lower the tonearm lift lever (10) as indicated in the illustration and place the tip of the stylus on one of the points on the scale. For example, the Sumiko Rainier requires **20mN** of tracking force, so place the stylus on the 20mN point.

If the stylus gauge becomes level when the tonearm is lowered down onto the desired point, then the correct pressure has been achieved. However, if there is insufficient or excessive pressure, the gauge will either not move or tilt down.



To adjust the amount of pressure, carefully move the counterweight (11) along the support rod, until the stylus pressure is sufficient to raise the pressure gauge to the level position. Moving the counterweight (6) away from the cartridge will reduce pressure and towards will increase pressure. Finally secure the counterweight (6) using hexagonal key provided.



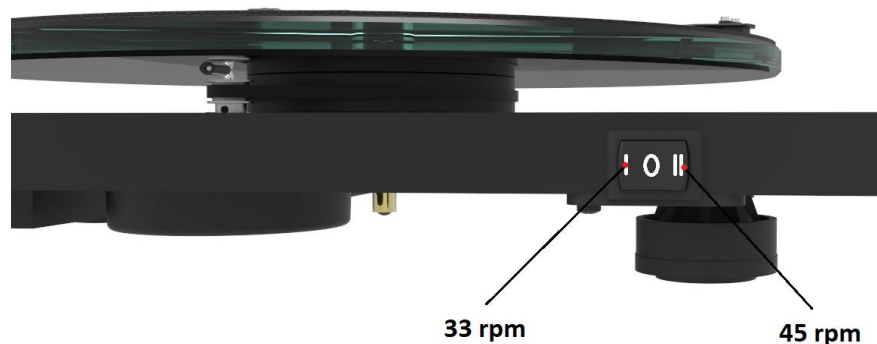
4. Maintenance and cleaning

Your record player requires little or no regular maintenance. Remove dust with a slightly moistened antistatic cloth. Never use a dry cloth because this will create static electricity which attract more dust! Antistatic cleaning fluids are available at specialist stores but must be applied sparingly to avoid damage to rubber parts. It is recommended to fit the needle cover before cleaning or maintenance is carried out to avoid damage.

If the player is not used over a long period of time the drive belt can be removed to prevent unequal stretching.

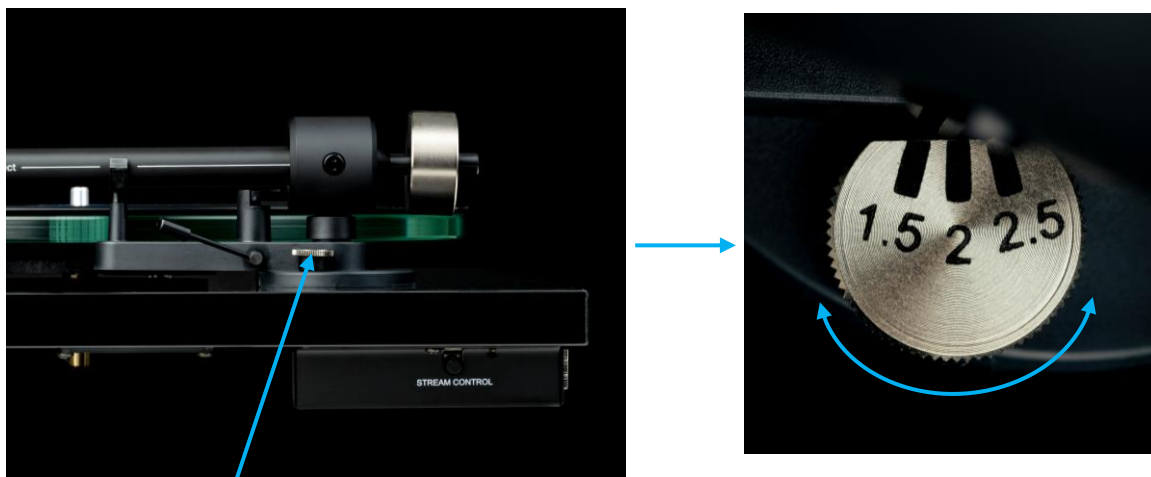
5. Switching on and off, changing replay speed

The turntable is equipped with a three-position switch for ON/OFF and electronic speed change. To play records at 33 rpm, press this switch (3) to the rear side. To play records at 45 rpm, press this switch (3) to the front side as shown on illustration below.



6. Anti-skating

The anti-skating force is pre-adjusted from the factory corresponding to the tracking force. Sumiko Rainier recommended tracking force 20mN = anti-skating set to 2 (middle position). You can adjust the anti-skating by rotating the anti-skating setting screw to the left or right.



Anti-skating setting screw

7. Connection to the amplifier

The record player has gold plated female RCA phono sockets with LINE output (the internal phono preamp of the T2W is always on). Connect the RCA outputs of your T2 W to a line input (such as AUX, CD, Tuner, Tape or Video) on your amplifier. Take care to connect the left and right channels correctly. The right channel is usually marked red, the left channel black or white. The earthing wire of the tonearm lead should be connected to the earth terminal on your amplifier (if provided).



The analogue RCA output remains purely analogue and is not digitized, not affected by any additional delay or in any other way influenced by the Wi-Fi capabilities of the turntable. You can rest assured that the analogue output will always give you the pure analogue output signal.



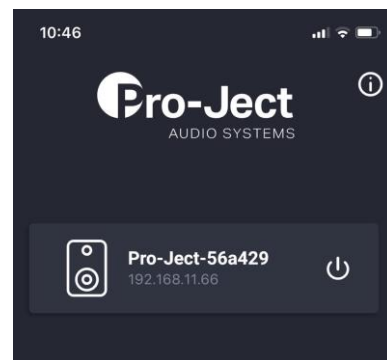
8. Wi-Fi

App Control: Please download the App “Pro-Ject Control” (Android and iOS) to control the Wi-Fi functionalities of your T2 W.

Browser Control: You can enter the IP address of your T2 W into any web browser on a device connected to the same network and control the Wi-Fi functionalities of your T2 W in exactly the same way as with the App.



You can use IP Scanners or get the IP address from the “Pro-Ject Control” App. Alternatively, the Pro-Ject Control App will show you the IP address of your turntable as well, after you connected it to your network via ethernet or Wi-Fi.



Wi-Fi Startup

The Wi-Fi module of your T2 W will boot up as soon as you connect the power supply to your turntable. You can see its status from the colour of the LED:

Red static: Wi-Fi module starting up

Red blinking: Module started up, no ethernet or Wi-Fi connection established

Green static: Connected to ethernet or Wi-Fi network

Blue static: Streaming audio

Blue blinking: Previous streaming receiver unavailable

Network Connection

Ethernet: Connect an ethernet cable, the network connection will be automatically established and LED turns green. Ethernet is recommended for lossless streaming (note that also your streaming receiver should be connected via ethernet and not Wi-Fi to avoid connectivity issues).

Wi-Fi: You can add the T2 W to your Wi-Fi network via our “Pro-Ject Control” App. Connect your T2 W to power and wait until Wi-Fi module has finished booting (Status LED). Then open the “Pro-Ject Control” App and you will see your turntable in the list of devices waiting to be connected to a Wi-Fi network. If the turntable and the Wi-Fi Setup don’t show up immediately, don’t worry. It can take 10 seconds to scan for available devices. Press “Wi-Fi Setup” and follow the next steps.





Wi-Fi setup is done via BLE (= Bluetooth Low Energy), so please make sure your phone is granting Bluetooth access to the "Pro-Ject Control" App. For BLE, you do not need to pair your phone to the turntable. BLE always, doesn't matter which BLE device, works **WITHOUT** pairing. A low energy Bluetooth connection can be established on the fly automatically, just by having Bluetooth turned on and access granted to the App.

Please allow 10-15 seconds for your phone to discover the turntable after first starting the app, depending on how fast the Bluetooth connection is. If necessary, restart your phone after granting access.

Wi-Fi Control Button

Press for 2 seconds: Turns Wi-Fi on or off

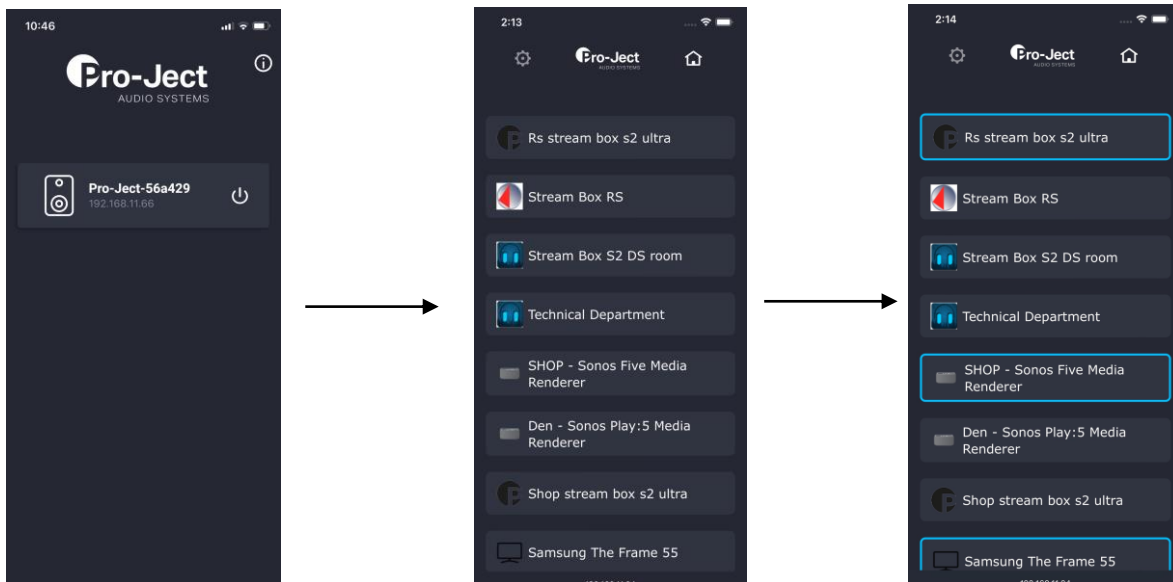
Short press: When turned on, start streaming to the previously selected streaming device

The Wi-Fi Control Button is a quick interface for you to start streaming to the streamer that you previously selected in the Pro-Ject Control App or T2 W webinterface. You can also turn off the Wi-Fi module should you wish to declutter your Wi-Fi network. Energy consumption is negligible in idle mode when the module is turned on. But it won't hurt to turn the module off, if you don't use your turntable for longer periods to save energy consumption.

In usual operation you will probably not need this button, as you will choose which device to stream to in your App or webinterface. But once you have chosen an output streamer once, you can comfortably start streaming to it again in a later session, by just pressing the button once. This saves time and there is no need to break out the App or webinterface.

Pro-Ject Control App & Webinterface

With the Pro-Ject Control App or the T2 W's webinterface you'll do most of your interaction with the T2 W.



After connecting the T2 W to your network, choose which device to control (should you have more than one on your network) from the main screen and from there choose which output device you want stream your turntable to. You can stream to as many output devices as your network connection can handle. To stop the stream simply select the output device again, the blue outline will go away, and streaming to that device will stop.

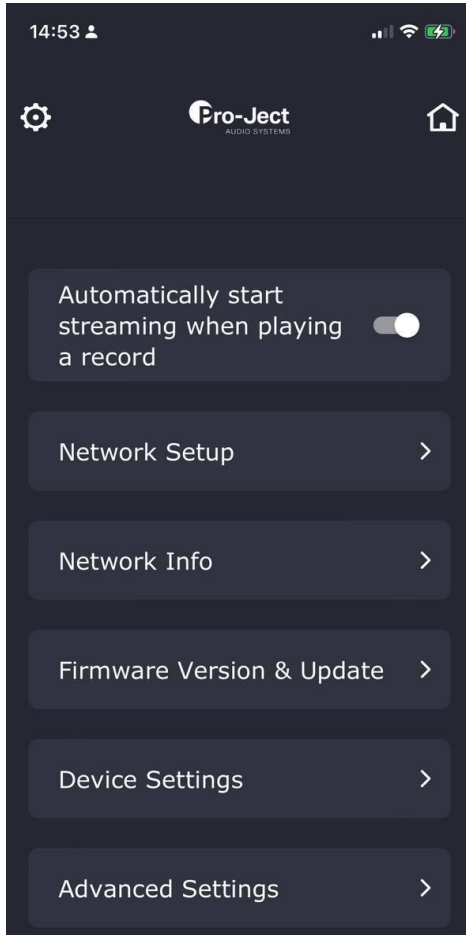


Allow some time after choosing an output device and sending the stream to them. Each device reacts differently past and reports the status back. Some are almost instantaneous and some take a few seconds. The T2 W uses UPNP to hand over the digital audio streams and the streams itself are either MP3 or FLAC, and implementations can vary from manufacturer to manufacturer.



The more output devices you stream to, the more network bandwidth you need. The T2 W has very powerful Wi-Fi and ethernet and internal processing power and can in theory handle hundreds of lossless audio streams at the same time. The bottleneck is most likely your Wi-Fi access point or Wi-Fi pollution (too many different Wi-Fi networks in too close proximity to each other).

Options Menu



The wheel in the top left corner takes you to the options menu.

Automatically starts streaming to the last selected output device as soon as the motor of the T2 W is turned ON.

Enter Wi-Fi connection data or configure Ethernet

Displays network information

Check back here regularly for Firmware Updates

Settings for language, power management and factory reset

Advanced streaming settings

Streaming Compatibility

The standard audio stream is designed to be compatible with as many devices as possible. Requirements are that your streamer is UPNP capable and can play MP3 encoded live-streams.

An up-to-date list of compatible manufacturers and devices can be found on the T2 W product page on our Pro-Ject Audio Systems website.

Lossless Audio Stream

The lossless audio stream in the **Advanced Settings** is not intended to be compatible with as many devices as possible, but is intended to be used with high-end streamers like our own Stream Box S2 Ultra in excellent network conditions. Please make sure to use this setting only on really good W-Fi connections or with ethernet cables, as lossless requires roughly 6x more bandwidth.

At Pro-Ject Audio Systems the **Stream Box S2 Ultra** and **Stream Box S2** are compatible with the lossless stream.

A list of lossless compatible devices/manufacturers can be found on the T2 W product page on our Pro-Ject Audio Systems website.

If the lossless audio stream is turned on, only selected compatible devices will receive it, the rest will continue to receive the standard compressed stream, so you won't run into any major bugs or issues.

Secondary Stream

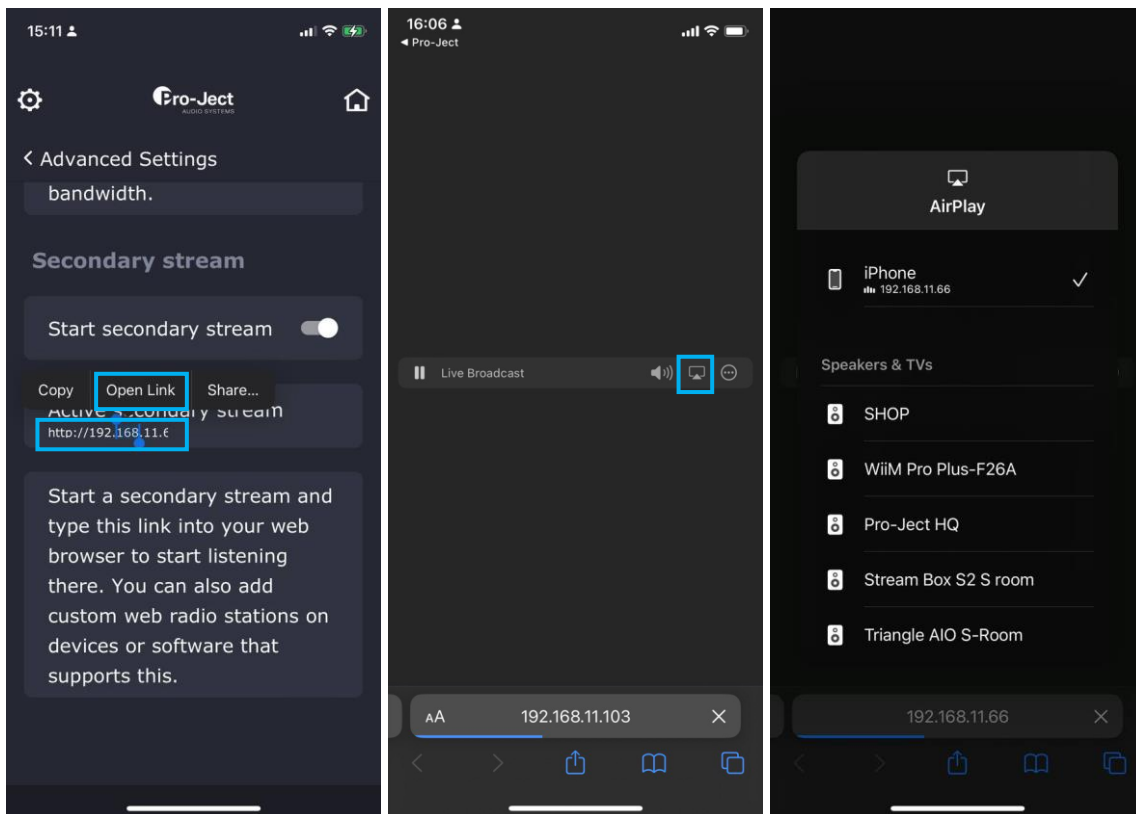
The secondary stream in the **Advanced Settings** is a nice helper, in case your streaming device is not UPNP capable. Many streamers allow adding custom radio stations. If you start the secondary stream and copy the stream-link into your web browser or add a custom radio station, you'll get to enjoy your T2 W on many more devices.



The secondary stream is only available as MP3.

Airplay

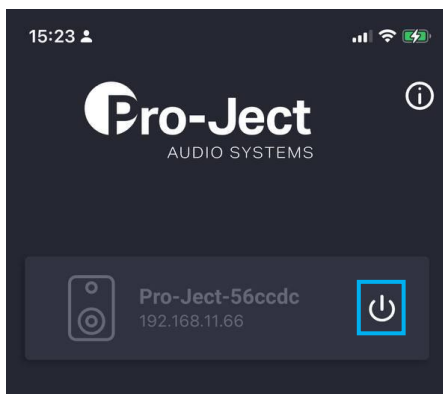
While the T2 W is not able to play to Airplay devices directly, you can build a workaround with the secondary stream.



Long press on the stream link -> Open Link -> Press Airplay symbol -> Choose which device to play to

Network Standby

By default, your T2 W is configured to enter network standby after 20 minutes of inactivity. You can disable this functionality at your choice under **Device Settings -> Power Management -> Auto Standby Mode**.



If the T2 W is greyed out like here, it means it is currently in Network Standby mode. You can wake it up with the power button. You can also manually set it to network standby mode using the power button on the home screen.

Technical specifications Pro-Ject T2 / Pro-Ject 9''

Nominal speeds	33/45 r.p.m.
Speed variance	33: $\pm 0.60\%$ 45: $\pm 0.50\%$
Wow and flutter	33: $\pm 0.19\%$ 45: $\pm 0.17\%$
Signal to noise	-67dB
Effective tonearm mass	9.5g
Effective tonearm length	9" (230mm)
Overhang	22 mm
WLAN standards	IEEE 802.11a/b/g/n/ac/ax 2x2 MIMO; 2.4/5GHz
Power consumption	4.5W
Power input	15V/ 0.8 A DC, universal power supply
Dimensions (W x H x D)	457 x 134 x 335mm
Weight	5.5kg
Dimensions packaging (W x H x D)	542 x 300 x 412mm
Weight incl. packaging	8.5kg

Technical specifications MM-Cartridge Sumiko Rainier

Frequency range	15-25.000Hz
Channel separation	25dB/1kHz
Output voltage	5mV
Recommended load impedance	47kohms/amplifier connection – MM-input
Compliance/stylus type	10 \times 10-6cm/dyn @ 100Hz– elliptical
Recommended tracking force	20mN
Capacitance	100pF – 200pF
Weight	6.5g

Potential incorrect use and fault conditions

Pro-Ject turntables are manufactured to the highest standards and undergo strict quality controls before leaving the factory. Faults that may possibly occur are not necessarily due to material or production faults but can sometimes be caused by incorrect use or unfortunate circumstances. Therefore, the following list of common fault symptoms is included.

The platter doesn't turn although the unit is switched on:

- The unit is not connected to the mains power supply.
- No mains at the socket.
- Drive belt is not fitted or has slipped off.

No signal through one or other channel or both channels:

- No signal contact from the cartridge to the internal tonearm wiring or from that to the arm lead or from that to the phono box or between that and the amplifier. This could be due to a faulty plug, broken wire or solder joint or simply loose plug/socket connection.
- Correct input not selected at amplifier.
- Amplifier is not switched on.
- Amplifier or speakers are defective or muted.
- No connection to the loudspeakers.

Distorted or inconsistent sound from one or both channels:

- Record player is connected to wrong input of amplifier.
- Needle or cantilever damaged.
- Wrong r.p.m., drive belt overstretched or dirty, platter bearing without oil, dirty or damaged.

Service

Should you encounter a problem which you are not able to alleviate or identify despite the above information, please contact your dealer for further advice. Only when the problem cannot be resolved there should the unit be sent to the responsible distributor in your country.

Guarantee repairs will only be affected if the unit is returned correctly packaged. For this reason, we recommend keeping the original packaging.

Never return a record player without making sure that it is safely disassembled and correctly packaged in the original packaging according to the diagrams on the last page of this user guide. Please remove these parts and pack them separately: lid, counterweight, anti-skating weight and belt.

Fit the cartridge protection cap and the transport lock for the tonearm tube, prior to carefully packaging the record player.

Warranty



The manufacturer accepts no responsibility for damage caused by not adhering to these instructions for use and/or by transportation without the original packaging. Modification or change to any part of the product by unauthorized persons, release the manufacturer from any liability over and above the lawful rights of the customer.

Pro-Ject Audio Systems is a Registered Trademark of H. Lichtenegger.

This guide was produced by: Pro-Ject Audio Systems
Copyright © 2023. All rights reserved.

The information was correct at the time of going to press. The manufacturer reserves the right to make changes to the technical specification without prior notice as deemed necessary to uphold the ongoing process of technical development.

Mac®, Mac OS®, iOS, Airplay, Apple are trademarks of Apple Inc., registered in the U.S. and other countries. Android™ is a trademark of Google Inc.

Waste from Electrical and Electronic Equipment (WEEE): This directive mandates the collection and recycling of electronics and component materials in order to reduce the amount going to landfills. Outside North America, when the user decides to discard this product, it must be sent to a separate collection facility for recycling. Please contact your point of purchase for more details.

Federal Communication Commission (FCC) Interference Statement FCC Part 15: This equipment has been tested and found to comply with the limits for a Class B digital device, pursuant to Part 15 of the FCC Rules. These limits are designed to provide reasonable protection against harmful interference in a residential installation. This equipment generates, uses and can radiate radio frequency energy and, if not installed and used in accordance with the instructions, may cause harmful interference to radio communications. However, there is no guarantee that interference will not occur in a particular installation. If this equipment does cause harmful interference to radio or television reception, which can be determined by turning the equipment off and on, the user is encouraged to try to correct the interference by one or more of the following measures:

- Reorient or relocate the receiving antenna
- Increase the separation between the equipment and receiver
- Connect the equipment into an outlet on a circuit different from that to which the receiver is connected
- Consult the dealer or an experienced radio/TV technician for help.

This device complies with part 15 of the FCC Rules. Operation is subject to the following two conditions: (1) This device may not cause harmful interference, and (2) this device must accept any interference received, including interference that may cause undesired operation. FCC Radiation Exposure Statement: This equipment complies with FCC radiation exposure limits set forth for an uncontrolled environment.

To maintain compliance with FCC's RF exposure guidelines, this equipment should be installed and operated with minimum distance 20cm between the radiator and your body. Use on the supplied antenna.

Contains FCC ID: 2AJYB-S1955

Declaration of Conformity

We, **SEV Litovel, s r.o.**
Palackého 1160/34
78401 Litovel
Czech Republic
(manufacturer)

and

Pro-Ject Audio Systems a division of Audio Tuning GmbH
Margaretenstrasse 98
1050 Vienna,
Austria
(distributor)

declare under our responsibility that the product is in conformity with the provisions of Directives:
2014/35/EU including amendments
2014/30/EU including amendments
2014/53/EU including amendments

The following harmonised standards were applied:

Health: EN62479:2010

Safety: EN60950-1:2006+A11:2009+A1:2010+A12:2011+A2:2013, EN62368-1:2014/A11:2017,
EN61558-1:2005/A1:2009, EN61558-2-16:2009/A1:2013

EMC: EN301489-1 V2.2.0: 2017-03, EN301489-17 V3.2.0:2017-03, EN55032:2015, EN55035:2017,
EN61000-3-2:2014, EN61000-3-3:2013

Radio Spectrum: EN300328 V2.1.1 (2016-11)

Pro-Ject Audio Systems a division of Audio Tuning GmbH

1050 Vienna, Austria, Margaretenstrasse 98

info@project-audio.com

