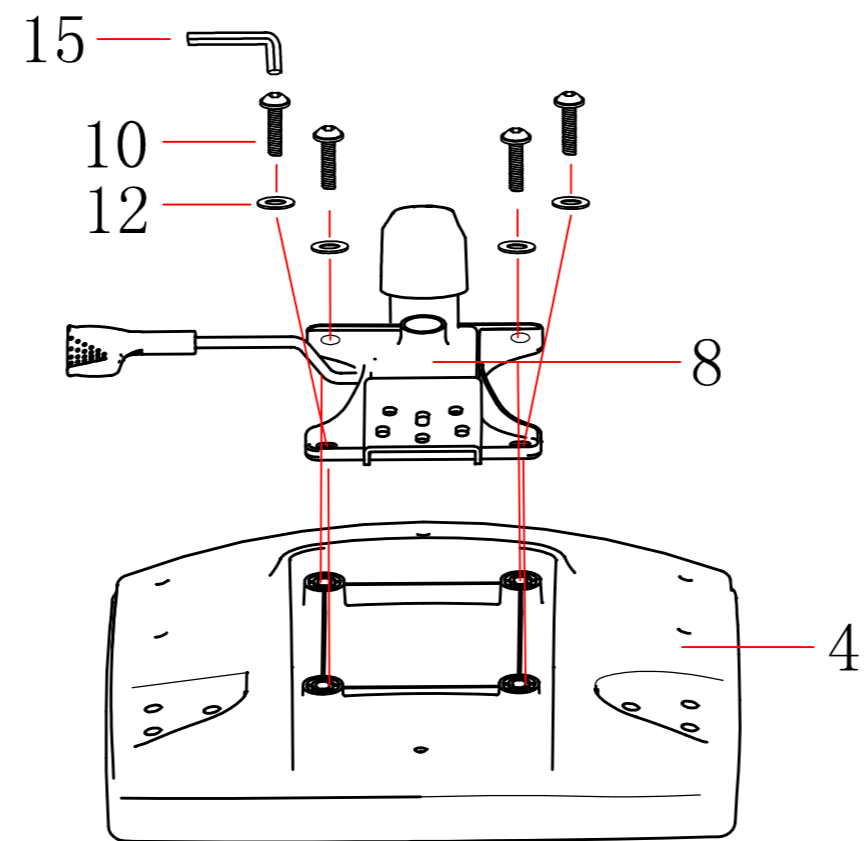
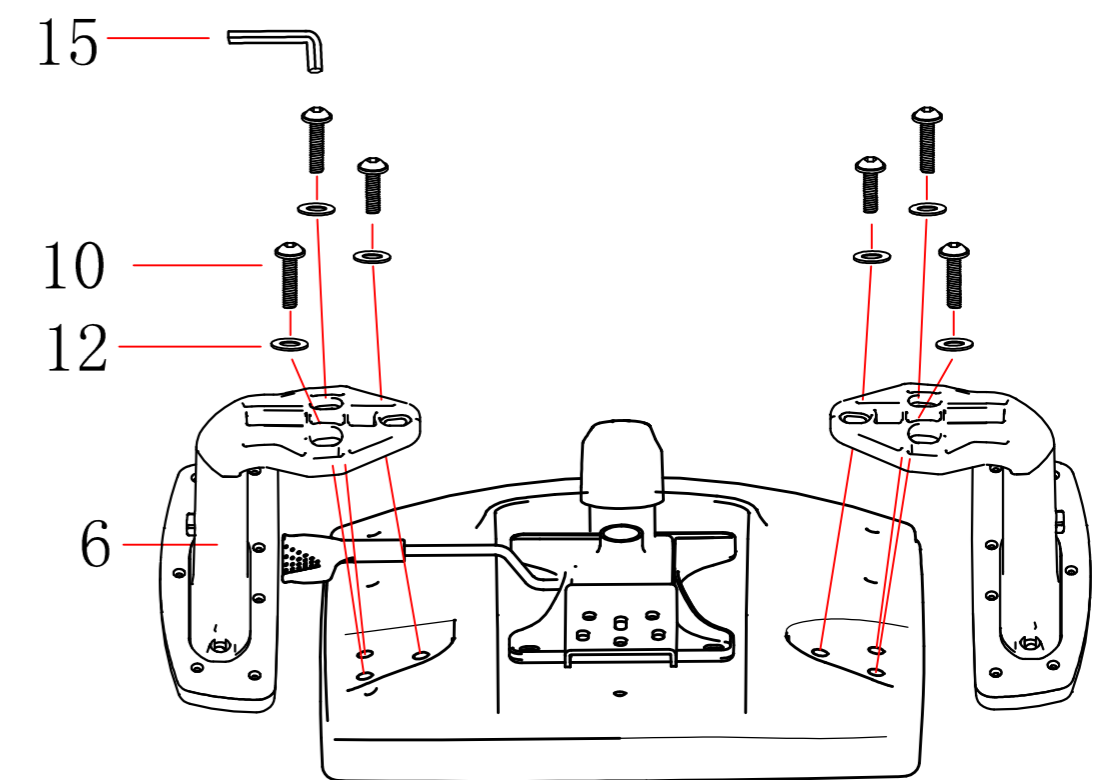


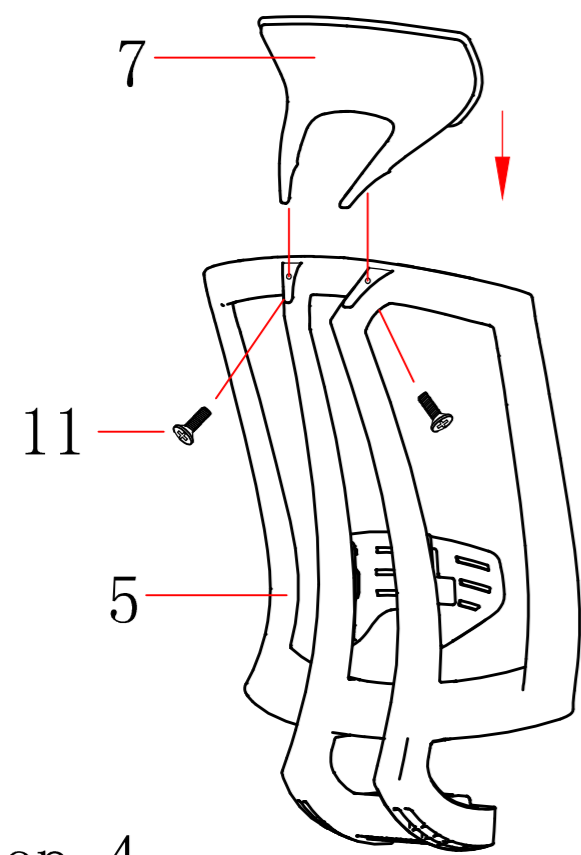
Step 1



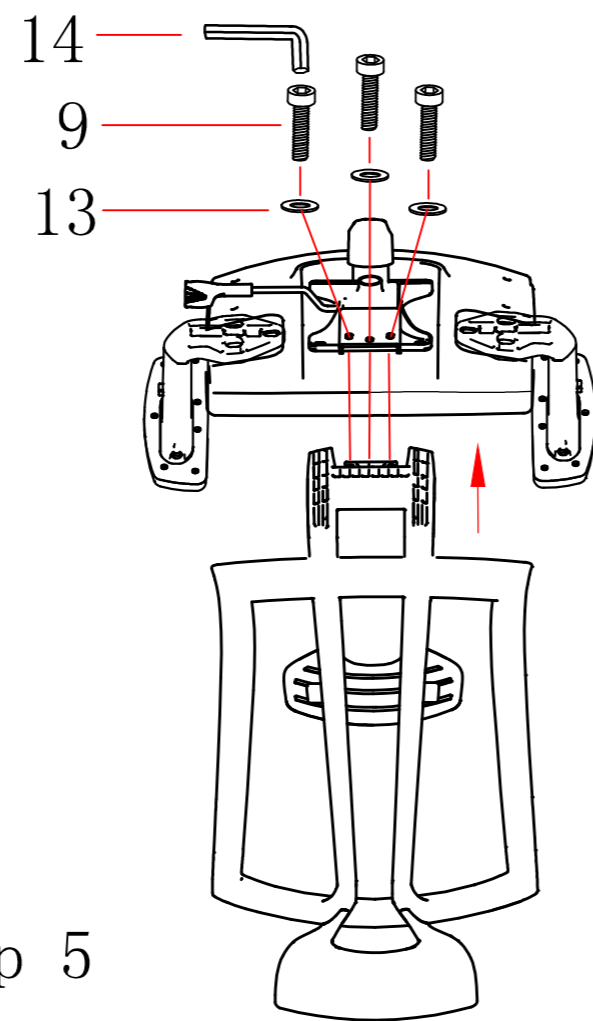
Step 2



Step 3



Step 4



Step 5



Step 6



Step 7

CH-163A-LP	NO.	1	2	3	4	5	6	7	8	9	10	11	12	13	14	15	
	SKETCH																
	SIZE									M8X55mm	M6X25mm	M5X25mm	M6	M8	6mm	5mm	
	QTY	1pcs	1pcs	5pcs	1pcs	1pcs	2pcs	1pcs	1pcs	1pcs	3pcs	10pcs	2pcs	10pcs	3pcs	1pcs	1pcs