


	1		2
品牌	BOYA	长丰型号	BY-DM500

7		8	
修改名称	版本	变更内容	变更日期 变更担当




Dynamic Broadcasting Microphone

广播级动圈麦克风

BY-DM500

User Manual
用户手册



General Introduction

Thanks for choosing BOYA!

BOYA BY-DM500 is a cardioid dynamic microphone, providing broadcast-quality sound, primarily designed for broadcasting, podcasting and studio recording. Thanks to its cardioid polar pattern, the BY-DM500 clearly captures voice in front of the mic while effectively reducing unwanted background noise.

With a wide-range frequency response, it provides a rich, balanced sound. Equipped with a foam windscreen, the BY-DM500 is a perfect choice for close-range recording applications. All-metal body guarantees the solid construction.

In addition, the microphone features an adjustable mounting bracket, which allows it to attach to any industry-standard microphone stand and boom arm.

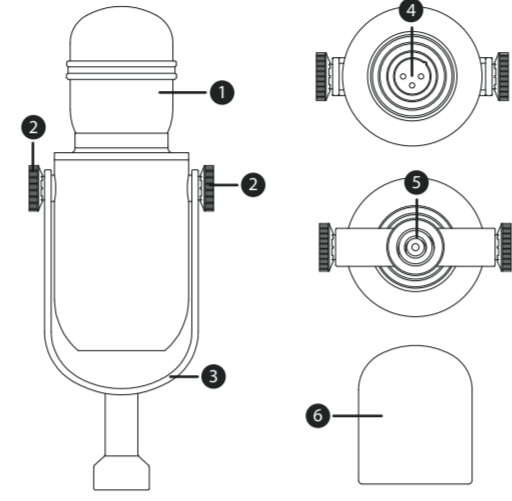
Cautions

- Do not use the unit under water, don't expose it to rain. Please store it in a cool, dry place.
- Please use and store it in normal temperature. Do not move it from overheated to super-cooled condition frequently as well as keep away from heat sources such as heater, oven, or other devices that produce heat.
- When using and storing, please pay attention to dust and moisture.
- Be careful to violent collision.

Packing List

- BY-DM500 Microphone
- Foam Windscreen
- User Manual
- Warranty Card

Product Structure



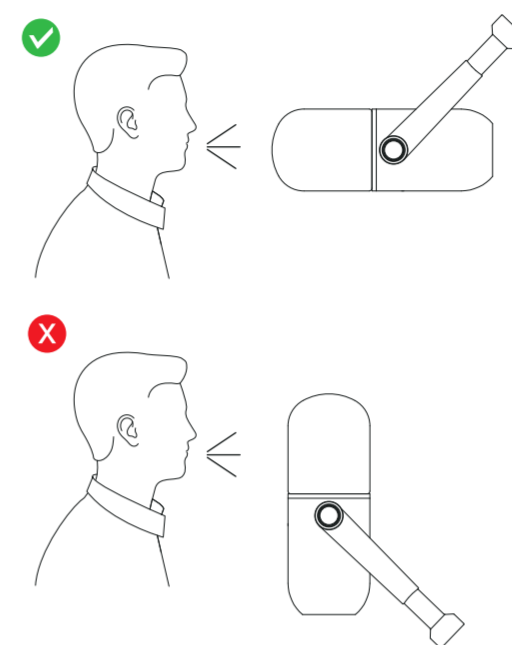
- Microphone Capsule
- Locking Knobs
- Mounting Bracket
- Three-pin XLR Connector
- 5/8" & 3/8" Combo Threaded Hole
- Foam Windscreen

Quick Setup Guide

- Loosen the locking knobs, adjust the microphone at the ideal angle, then tighten the knobs.
- Attach the microphone to a microphone stand or a boom arm (not included) through the threaded hole at the bottom.
- Connect microphone to an external unit with an XLR cable (not included).

Note: BY-DM500 is a dynamic microphone, no need for 48V phantom power.

How to Use



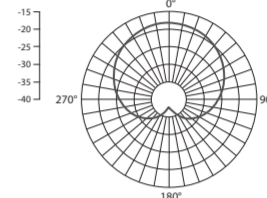
Features

- Ideal for broadcasting, podcasting and studio recording
- Deliver professional-quality sound
- Cardioid polar pattern
- Rugged all-metal construction
- No need for additional batteries or phantom power
- Great for close-range vocal and instrument recording
- Foam windscreen included

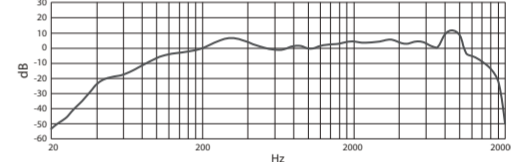
Specifications

Acoustic Principle	Dynamic
Polar Pattern	Cardioid
Frequency Response	20-20,000 Hz
Sensitivity	-57dB±3dB (0dB=1/ubar at 1kHz)
Output Impedance	120Ω
Audio Output Connector	Three-pin XLR Connector
Phantom Power	Not Required
Weight	616g
Dimensions	85×62×230.2mm
Operating Temperature	-20 °C to +50 °C
Storage Temperature	-5 °C to +55 °C

Polar Pattern



Frequency Response



概述

感谢您选择BOYA!

博雅BY-DM500是一款广播级动圈麦克风，音质效果饱满柔和，适用于广播主持、播客、录音棚等多个场景。

心形指向性麦克风，可以清晰地捕捉麦克风前方声音。宽范围的频率响应，搭配上防风海绵，近距离人声和乐器录音可完全胜任。BY-DM500采用全金属机身结构，耐用长久且造型精美，产品支架上的螺纹孔可轻松安装固定在悬臂支架上使用。

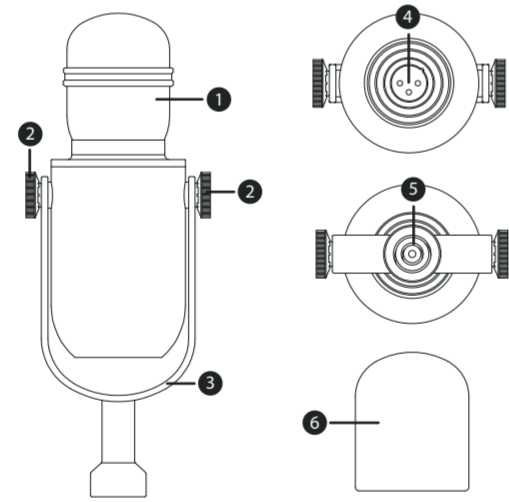
注意事项

- 不要在水下使用本机，不要将其暴露在雨中，请存放在阴凉干燥处。
- 请在常温下使用并保存，不要频繁地将其从过热状态移至过冷状态，并远离热源，如加热器、烤箱或其他产生热量的设备。
- 在使用和储存时，请注意防尘和防潮。
- 小心避免猛烈的碰撞。

包装内容

- BY-DM500麦克风
- 防风海绵
- 说明书
- 保修卡

产品结构



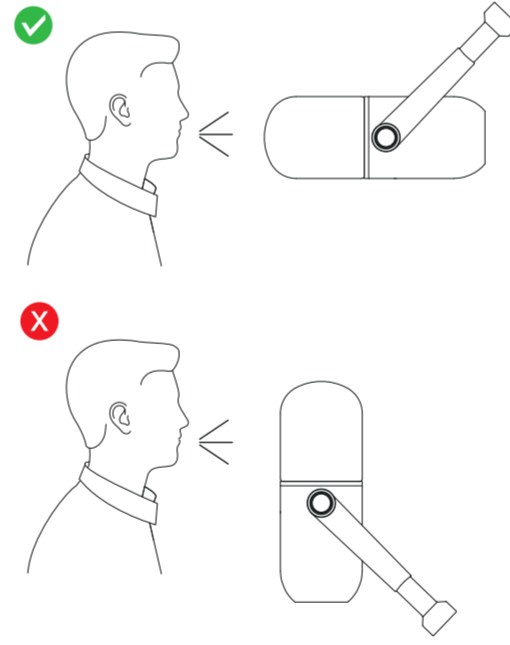
- 麦克风拾音嘴头
- 锁紧旋钮
- 麦克风支架
- 三芯XLR接口
- 5/8英寸或3/8英寸复合螺纹孔
- 防风海绵

快速安装指南

- 松动锁紧旋钮，将麦克风调整到所需角度，然后拧紧旋钮。
- 通过BY-DM500支架的螺纹孔将产品固定在悬臂支架上（悬臂支架产品没有配套赠送）。
- 使用XLR卡侖线（不含）接入外部设备。

注意：BY-DM500 是动圈麦克风，无需 48V 幻象电源供电。

使用方法



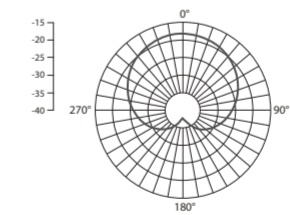
特点

- 适用于广播、播客、录音棚等场景
- 提供专业品质的声音
- 心形指向性拾音模式
- 坚固的全金属结构
- 不需要额外的电池或幻象电源
- 适用于近距离人声和乐器录音
- 配备防风海绵

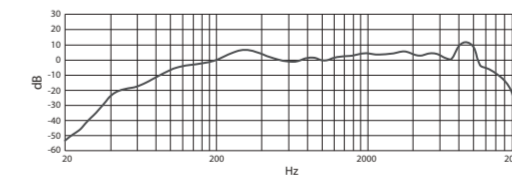
参数

声学原理	动圈麦
指向性	心形
频响范围	20-20,000 Hz
灵敏度	-57dB±3dB (0dB=1/ubar at 1kHz)
输出阻抗	120Ω
音频输出接口	三芯卡侖接口
幻象电源	不需要
重量	616g
尺寸	85×62×230.2mm
工作温度	-20 °C - +50 °C
贮存温度	-5 °C - +55 °C

极性模式



频响曲线



www.boya-mic.com

SHENZHEN JIAYZ PHOTO INDUSTRIAL, LTD.

The BOYA logo is a trademark which is registered and owned by Shenzhen Jiayz Photo Industrial, Ltd.

深圳市长丰影像器材有限公司
地址: 广东省深圳市龙华区观澜街道大富社区硅谷动力智能终端产业园A16栋
TEL: 400 6131096
Email: sales@boya-mic.com
www.boya-mic.com / www.jiayz.com

技术要求:

- 1、表面无色差
- 2、无正负公差
- 3、包装标注尺寸为内尺寸